



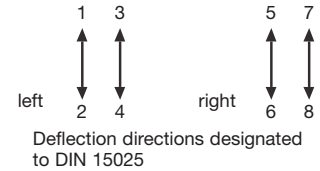
Type D3LQQ-2ZP+2ZP-B...

The double-handle controller D 3 is a rugged switching device according IEC/EN 60947-5-1 for nautical navigation applications. The modular design enables the switching device to be used universally. The D 3 is resistant to oil, maritime climate, ozone and UV radiation.

Contact complement 0,5 A 110 V AC 15 or 1,5 A 24 V DC 13
I min > 0,2 mA 2 V DC 12 Gold plated for max. load of 0,12 Watt (standard)

Mechanical life	12 million (operating cycles)
Permissible ambient temperature	Operation -40° C to +60° C Storage -50° C to +80° C
Climate resistance	
Damp heat constant	IEC 60068-2-78
Damp heat cyclic	IEC 60068-2-30
Degree of protection front	IP 66 IEC IEN 60529
Technical data see catalog 5/100	
Description data see catalog 5/020	

Spindle block with schematic representation of the master controller installation and deflection directions.
Version shown for left-hand side installation (right-hand side installation is mirror image).



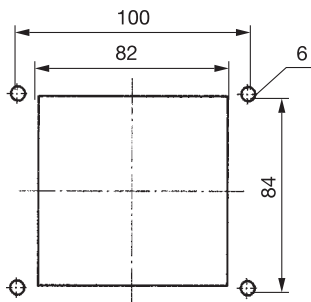
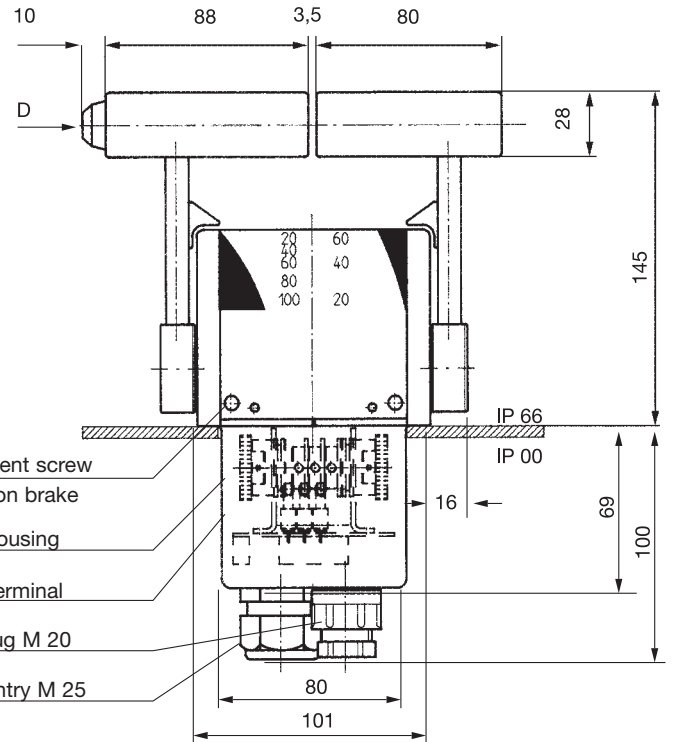
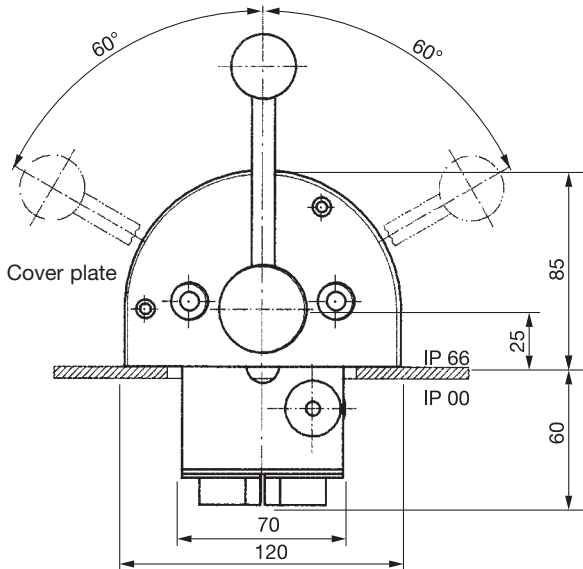
Pos.	D 3	Type expansion	Weight gramm	Type	Price EURO	
1						
2						
3				4000	D 3	
4						
5						
7.1	Double-handle controller left (dir. 1-2, 3-4)			L		
7.2	Double-handle controller right (dir. 5-6, 7-8)			R		
10						
20	Control-handle with knob solid					
21						
22						
23						
24	Control-handle with push button 1 NO		110	D		
25						
26	Control-handle with T-grip		40	Q		
27	Control-handle with T-grip and push button side 1 NO		60	QD		
28	Control-handle long or short					
28.2	-20 mm			S5		
28.3	+20 mm			S8		
29						
30	Masterswitch (contact) switching sequence -0-		No. of contacts 1	20	1	
31			2	40	2	
32	Direction 1-2 and 3-4 each 1 masterswitch		3	60	3	
33	Switching program according contact-arrangement MS... see catalog 5/001	A...				
34	or to your contact-arrangement					
35						
36	Switching sequence special					
38						
39	Friction brake adjustable (for each direction)		30	R		
40	Potentiometer e.t.c. each direction with mounted Conductive-plastic potentiometer T 246, with centre tap linear 0,5 Watt wiper current max. 1 mA, resistance 2 x 5k \cong P214	...P21 \square	70	P		
41	Prepared for mounting potentiometer shaft 6 mm adjusting-angle 2 x 75°					
42	Prepared for mounting potentiometer e.t.c. adjusting-angle variable.				(P)	
43	more Potentiometer e.t.c. see catalog 1/240ff	P...			(P)	
50	Cover housing		300	B		
51	Filter plug M 20 for air-condition		20			
52	Cable entry M 25 with anti-kink protection		30			
60	Indicating label eloxal aluminium plate silvery (included in the spindle block)					
61	Engraving, each 10 characters					



T-grip

D = push button

Direction 1-2 Direction 3-4



Hole pattern

